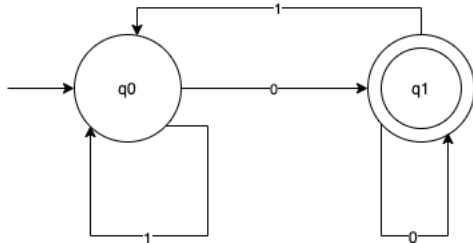
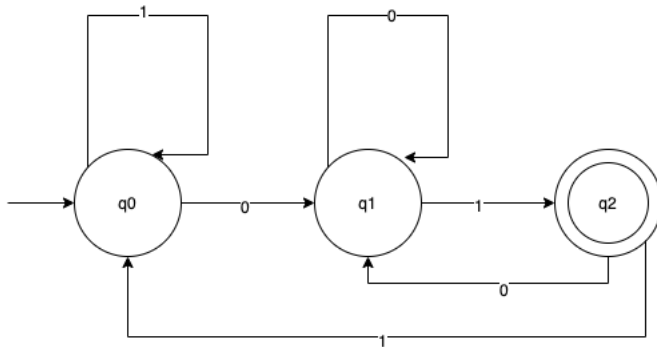


Exercises2-DFA-1

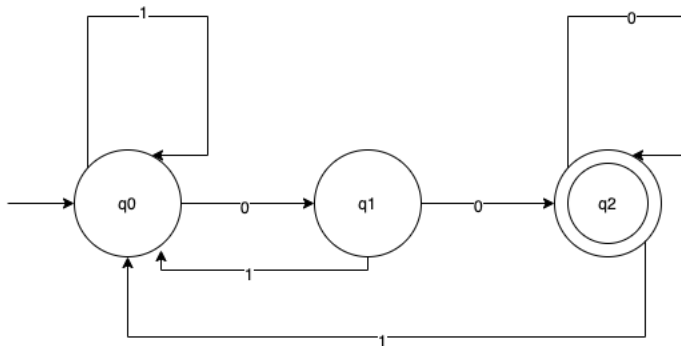
1- Draw a DFA for the language accepting strings ending with '0' over input alphabets $\Sigma = \{0,1\}$



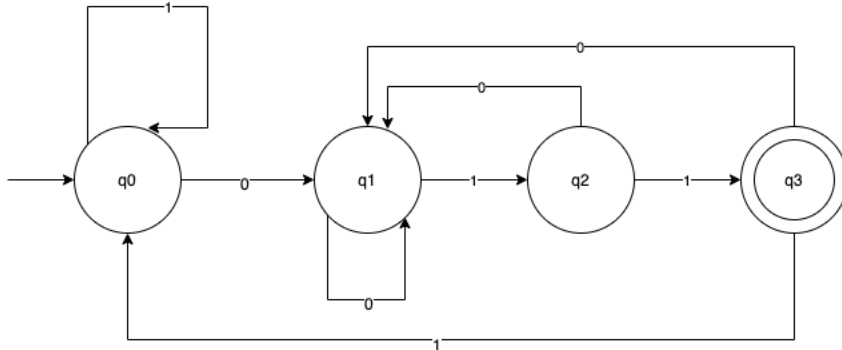
2- Draw a DFA for the language accepting strings ending with '01' over input alphabets $\Sigma = \{0,1\}$



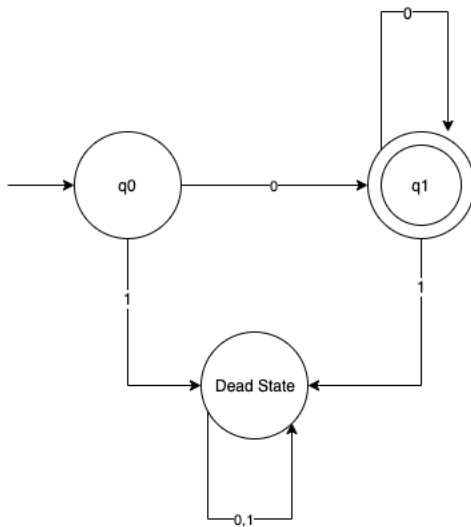
3- Draw a DFA for the language accepting strings ending with '00' over input alphabets $\Sigma = \{0,1\}$



4- Draw a DFA for the language accepting strings ending with '011' over input alphabets $\Sigma = \{0,1\}$



5- Draw a DFA for the language accepting strings ending with '0' only over input alphabets $\Sigma = \{0,1\}$



6- Draw a DFA for the language accepting strings starting with '0' only over input alphabets $\Sigma = \{0,1\}$

